



LC865520A/16A/12A/08A/04A

8-Bit Single Chip Microcontroller with On-Chip 20/16/12/08/04K-Byte ROM and 512-Byte RAM

Preliminary

Overview

The LC865520A/16A/12A/08A/04A microcontrollers are 8-bit single chip microcontrollers with the following one-chip functional blocks:

- CPU : Operable at a minimum bus cycle time of 0.5 μ s (microsecond)
- On-chip ROM Maximum Capacity : 20K bytes
- On-chip RAM Capacity : 512 bytes (LC865520A/16A/12A/08A/04A)
- 16-bit timer /counter (or two 8-bit timers)
- 16-bit timer /PWM (or two 8-bit timers)
- 8-channel \times 8-bit AD converter
- Two 8-bit synchronous serial-interface circuits
- 13-source 10-vectored interrupt system⁸⁰

All of the above functions are fabricated on a single chip.

Features

- (1) Read-Only Memory (ROM) : LC865520A 20480 \times 8 bits
 : LC865516A 16384 \times 8 bits
 : LC865512A 12288 \times 8 bits
 : LC865508A 8192 \times 8 bits
 : LC865504A 4096 \times 8 bits
- (2) Random Access Memory (RAM) : LC865520A/16A/12A/08A/04A 512 \times 8 bits
- (3) Bus Cycle Time/Instruction Cycle Time

The LC865520A/16A/12A/08A/04A are constructed to read ROM twice within one instruction cycle. It has 1.7 times more performance capability within the same instruction cycle compared to our 4-bit microcomputers (LC66000 series).

Bus cycle time indicates the speed to read ROM.

Bus cycle time	Cycle time	Clock divider	System clock oscillation	Oscillation Frequency	Voltage
0.5 μ s	1 μ s	1/1	Ceramic resonator oscillation	6MHz	4.5V to 6.0V
2 μ s	4 μ s	1/2	Ceramic resonator oscillation	3MHz	2.5V to 6.0V
7.5 μ s	15 μ s	1/2	RC resonator oscillation	800kHz	2.5V to 6.0V
183 μ s	366 μ s	1/2	Crystal oscillation	32.768kHz	2.5V to 6.0V

- Any and all SANYO products described or contained herein do not have specifications that can handle applications that require extremely high levels of reliability, such as life-support systems, aircraft's control systems, or other applications whose failure can be reasonably expected to result in serious physical and/or material damage. Consult with your SANYO representative nearest you before using any SANYO products described or contained herein in such applications.
- SANYO assumes no responsibility for equipment failures that result from using products at values that exceed, even momentarily, rated values (such as maximum ratings, operating condition ranges, or other parameters) listed in products specifications of any and all SANYO products described or contained herein.

(4) Ports

- Input/output ports : 3 ports (16 terminals : port 1,7,8)
Input/output programmable in a bit
- Maximum 15V withstand input/output port : 2 ports (15 terminals)
Input/output port programmable in nibble units : 1 port (8 terminals : port 0)
(When the N-channel open drain output is selected, the data in a bit can be inputted.)
Input/output port programmable in a bit : 1 port (7 terminals : port 3)
- Input ports : 2 ports (6 terminals : port 7,8)

(5) AD converter

- 8-channel × 8-bit AD converter

(6) Serial-interface

- 1 channel × 16-bit serial-interface (8-bit transmission available by program)
- 1 channel × 8-bit serial-interface
LSB first/MSB first function available
- Internal 8-bit baud-rate generator in common with two serial-interface circuits

(7) Timer

- Timer 0
16-bit timer/counter
2-bit prescaler + 8-bit programmable prescaler
Mode 0 : Two 8-bit timers with programmable prescaler
Mode 1 : 8-bit timer with programmable prescaler + 8-bit counter
Mode 2 : 16-bit timer with programmable prescaler
Mode 3 : 16-bit counter
The resolution of Timer is tCYC. (tCYC: cycle time)
- Timer 1
16-bit timer/PWM
Mode 0 : Two 8-bit timers
Mode 1 : 8-bit timer + 8-bit PWM
Mode 2 : 16-bit timer
Mode 3 : Variable-bit PWM (9-16bits)
In Mode 0 and Mode 1, the resolution of Timer and PWM is tCYC.
In Mode 2 and Mode 3, the resolution of Timer and PWM selectable: tCYC or 1/2 tCYC by program.
- Base timer
Every 500ms overflow system for a clock application (using 32.768kHz crystal oscillation for Base timer clock)
Every 976μs, 3.9ms, 15.6ms, 62.5ms overflow system (using 32.768kHz crystal oscillation for Base timer clock)
The Base timer clock selectable; 32.768kHz crystal oscillation, System clock, and programmable prescaler output of Timer 0

(8) Buzzer output

- The Buzzer sound frequency selectable; 4KHz, 2KHz (using 32.768kHz crystal oscillation for Base timer clock)

(9) Remote-control receiver circuit (Shares with P73/INT3/T0IN terminal)

- Noise Rejection function (the time constant of noise rejection filter: 1tCYC/16tCYC/64tCYC)
(tCYC: instruction cycle time)
- Switch Polarity function

(10) Watchdog timer

- The watchdog timer is taken on RC outside
- Watchdog timer operation selectable: interrupt system, system reset

(11) Interrupt system

- 13-source 10-vectored interrupts :
 1. External interrupt INT0 (include watchdog timer)
 2. External interrupt INT1
 3. External interrupt INT2, Timer/counter T0L (Lower 8-bit)
 4. External interrupt INT3, Base timer
 5. Timer/counter T0H (Upper 8-bit)
 6. Timer T1L, Timer T1H
 7. Serial-interface SIO0
 8. Serial-interface SIO1
 9. AD converter
 10. Port 0
- Built-in Interrupt Priority control register
 Microcomputer allows 3 levels of interrupt; low level, high level, and highest level of multiplex interrupt. It can specify a low level or a high level interrupt priority from INT2/T0L through port 0 (i.e. the above interrupt number from three through ten). It can also specify a low level or the highest level interrupt priority to INT0 and INT1.

(12) Subroutine stack levels

- 128 levels (Max.): Stack area included in RAM area

(13) Multiplication and division

- 16-bit × 8-bit (7 instruction cycle times)
- 16-bit / 8-bit (7 instruction cycle times)

(14) 3 oscillation circuits

- On-chip RC oscillation circuit using for the system clock.
- On-chip CR oscillation circuit using for the system clock.
- On-chip crystal oscillation circuit using for the system clock and for time-base clock.

(15) Standby function

- HALT mode function
 The HALT mode is used to reduce power dissipation. In this operation mode, program execution is stopped. This operation mode can be released by interrupt request signals or the initial system reset request signal.
- HOLD mode function
 The HOLD mode is used to freeze all the oscillations; RC (internal), CR and Crystal oscillations. This mode can be released by the following operations.
 - Reset terminal (RES) set to Low level
 - P70/INT0/T0IN, P71/INT1/T0IN terminals set to assigned level (programmable)
 - Port 0 terminal/terminals set to Low level (programmable)

(16) Factory shipment

- DIP42S, QFP48E delivery form

(17) Development support tools

- Evaluation (EVA) chip : LC866096
- EPROM version : LC86E5420
- One time version : LC86P5420
- Emulator : EVA-86000 + ECB867100 (Evaluation chip board) + POD865400 (POD)

Notice for use

1. Follow the under table.

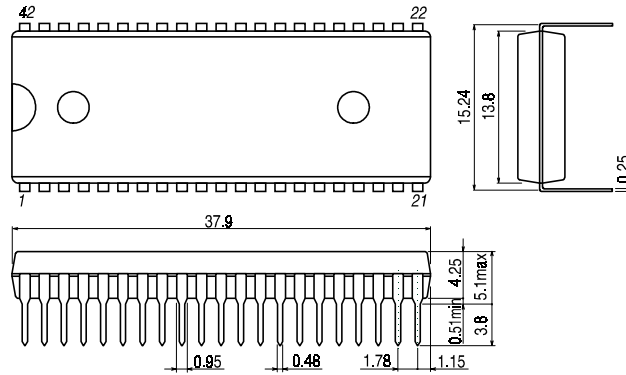
Frequency range of the system clock	Voltage range	Clock Divider	Note
15kHz to 30kHz	4.5V to 6.0V	1/1	Can not use 1/2 divider
30kHz to 6MHz		1/1,1/2	
15kHz to 30kHz	2.5V to 6.0V	1/1	Can not use 1/2 divider
30kHz to 1.5MHz		1/1,1/2	
1.5MHz to 3MHz		1/2	Can not use 1/1 divider
Internal RC oscillation	4.5V to 6.0V	1/1,1/2	
	2.5V to 6.0V	1/2	Can not use 1/1 divider

Pin Assignment

Package Dimension

(unit : mm)

3025B

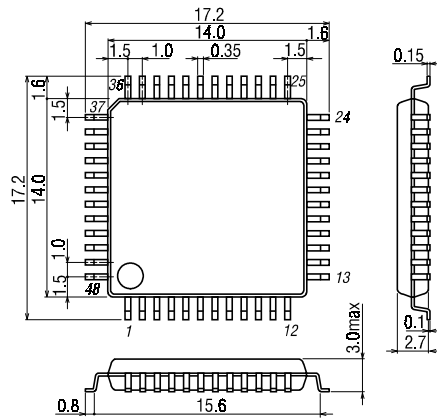


SANYO : DIP-42S(600mil)

Package Dimension

(unit : mm)

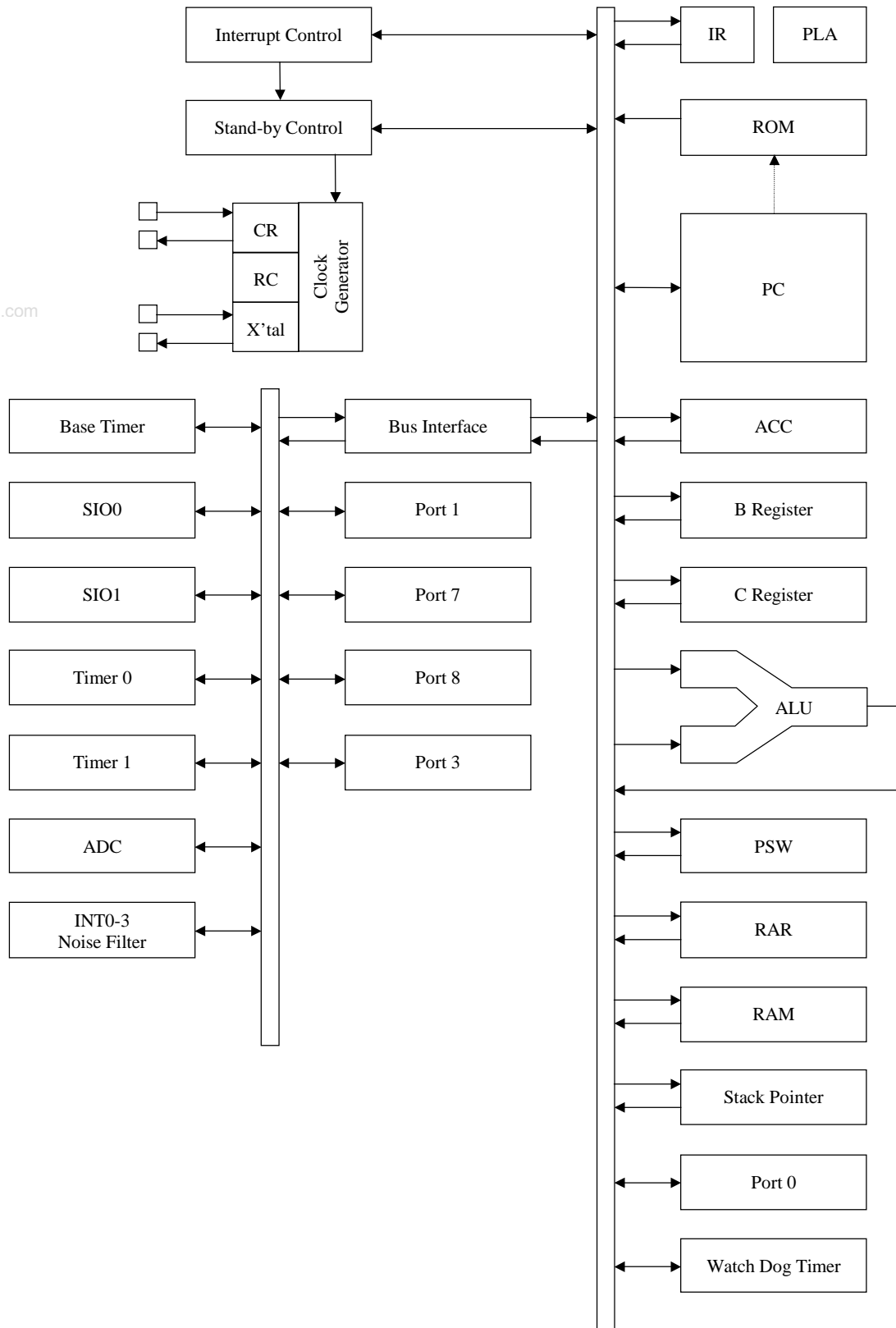
3156



SANYO : QIP-48E

*NC pin must not connect to anything.

System Block Diagram



www.DataSheet4U.com

Pin description

Pin name	I/O	Function description	Option																																			
VSS	-	Power pin (-)	-																																			
VDD	-	Power pin (+)	-																																			
PORT0 P00 to P07	I/O	<ul style="list-style-type: none"> •8-bit input/output port •Input for port 0 interrupt •Input/output in nibble units •Input for HOLD release •15V withstand at N-channel open drain output 	<ul style="list-style-type: none"> •Pull-up resistor : Provided/Not provided (each nibble) •Output form : CMOS/N-channel open drain (each bit) 																																			
PORT1 P10 to P17	I/O	<ul style="list-style-type: none"> •8-bit input/output port •Input/output can be specified in a bit unit •Other pin functions P10 SIO0 data output P11 SIO0 data input/bus input/output P12 SIO0 clock input/output P13 SIO1 data output P14 SIO1 data input/bus input/output P15 SIO1 clock input/output P16 Buzzer output P17 Timer 1 output (PWM0 output) 	<ul style="list-style-type: none"> •Output form : CMOS/N-channel open drain (each bit) 																																			
PORT3 P30 to P36	I/O	<ul style="list-style-type: none"> •7-bit input/output port •Input/output in bit unit •15V withstand at N-channel open drain output 	<ul style="list-style-type: none"> •Pull-up resistor : Provided/Not provided (each bit) •Output form : CMOS/N-channel open drain (each bit) 																																			
PORT7 P70 to P73 $\overline{P74}$, P75	I/O I	<ul style="list-style-type: none"> •4-bit input/output port •Input/output in bit unit •2-bit input port •Other pin functions P70 : INT0 input/HOLD release/N-channel Tr. output for watchdog timer P71 : INT1 input/HOLD release input P72 : INT2 input/timer 0 event input P73 : INT3 input with noise filter/timer 0 event input $\overline{P74}$: 32.768kHz crystal oscillation terminal XT1 P75 : 32.768kHz crystal oscillation terminal XT2 •Interrupt received forms, the vector addresses <table border="1" style="width: 100%; border-collapse: collapse;"> <thead> <tr> <th></th> <th>rising</th> <th>falling</th> <th>rising & falling</th> <th>high level</th> <th>low level</th> <th>vector</th> </tr> </thead> <tbody> <tr> <td>INT0</td> <td>enable</td> <td>enable</td> <td>disable</td> <td>enable</td> <td>enable</td> <td>03H</td> </tr> <tr> <td>INT1</td> <td>enable</td> <td>enable</td> <td>disable</td> <td>enable</td> <td>enable</td> <td>0BH</td> </tr> <tr> <td>INT2</td> <td>enable</td> <td>enable</td> <td>enable</td> <td>disable</td> <td>disable</td> <td>13H</td> </tr> <tr> <td>INT3</td> <td>enable</td> <td>enable</td> <td>enable</td> <td>disable</td> <td>disable</td> <td>1BH</td> </tr> </tbody> </table>		rising	falling	rising & falling	high level	low level	vector	INT0	enable	enable	disable	enable	enable	03H	INT1	enable	enable	disable	enable	enable	0BH	INT2	enable	enable	enable	disable	disable	13H	INT3	enable	enable	enable	disable	disable	1BH	
	rising	falling	rising & falling	high level	low level	vector																																
INT0	enable	enable	disable	enable	enable	03H																																
INT1	enable	enable	disable	enable	enable	0BH																																
INT2	enable	enable	enable	disable	disable	13H																																
INT3	enable	enable	enable	disable	disable	1BH																																

Continue.

Pin name	I/O	Function description	Option
PORT8 P80 to 83 P84 to 87	I I/O	<ul style="list-style-type: none"> •4-bit input port •Input/output in bit unit •4-bit input/output port •Other function AD input port (8Port pins) 	-
$\overline{\text{RES}}$	I	Reset pin	-
XT1/ $\overline{\text{P74}}$	I	<ul style="list-style-type: none"> •Input pin for 32.768kHz crystal oscillation •Other function XT1 : Input port $\overline{\text{P74}}$ •In case of non use, connect to VDD. 	-
XT2/P75	O	<ul style="list-style-type: none"> •Output pin for 32.768kHz crystal oscillation •Other function XT2 : Input port P75 •In case of non use, connect to VDD at using as port or unconnect at using as oscillation. 	-
CF1	I	Input pin for the ceramic resonator oscillation	-
CF2	O	Output pin for the ceramic resonator oscillation	-

* All of port options (except pull-up resistor of port 0) can be specified in bit unit.

*A state of pins at reset

Pin name	Input/output mode	A state of pull-up resistor specified at pull-up option
Port 0	Input	Fixed pull-up resistor OFF
Ports 1,3	Input	Programmable pull-up resistor OFF

1. Absolute Maximum Ratings at VSS=0V and Ta=25°C

Parameter	Symbol	Pins	Conditions	Ratings			unit		
				VDD[V]	min.	typ.		max.	
Supply voltage	VDDMAX	VDD	VDD		-0.3		+7.0	V	
Input voltage	VI(1)	<ul style="list-style-type: none"> •Ports $\overline{74,75}$ •Ports 80,81,82,83 •\overline{RES} 			-0.3		VDD+0.3		
Input/Output voltage	VIO(1)	<ul style="list-style-type: none"> •Port 1 •Ports 70,71,72,73 •Ports 84,85,86,87 •Ports 0, 3 at CMOS output option 			-0.3		VDD+0.3		
	VIO(2)	Ports 0, 3 at N-ch open drain output option			-0.3		15		
High level output current	Peak output current	IOPH	<ul style="list-style-type: none"> •Ports 0, 1, 3 •Ports 71,72,73 •Ports 84,85,86,87 	<ul style="list-style-type: none"> •CMOS output •At each pins 		-10			mA
	Total output current	ΣIOAH(1)	Ports 0, 1	The total of all pins		-30			
		ΣIOAH(2)	Port 3	The total of all pins		-15			
		ΣIOAH(3)	<ul style="list-style-type: none"> •Ports 71,72,73 •Ports 84,85,86,87 	The total of all pins		-10			
Low level output current	Peak output current	IOPL(1)	Ports 0, 1, 3	At each pins				20	
		IOPL(2)	<ul style="list-style-type: none"> •Ports 70,71,72,73 •Ports 84,85,86,87 	At each pins				15	
	Total output current	ΣIOAL(1)	Ports 0,1,70	The total of all pins					60
		ΣIOAL(2)	Port 3	The total of all pins					40
		ΣIOAL(3)	<ul style="list-style-type: none"> •Ports 71,72,73 •Ports 84,85,86,87 	The total of all pins					20
Maximum power dissipation	Pdmax(1)	DIP42S	Ta=-30 to+70°C					630	mW
	Pdmax(2)	QFP48E	Ta=-30 to+70°C					390	
Operating temperature range	Topr				-30		70	°C	
Storage temperature range	Tstg				-55		125		

2. Recommended Operating Range at Ta=-30°C to +70°C, VSS=0V

Parameter	Symbol	Pins	Conditions	Ratings			unit	
				VDD[V]	min.	typ.		max.
Operating Supply voltage	VDD(1)	VDD	0.98μs ≤ tCYC tCYC ≤ 400μs		4.5		6.0	V
	VDD(2)		3.9μs ≤ tCYC tCYC ≤ 400μs		2.5		6.0	
Hold voltage	VHD	VDD	RAMs and the registers hold voltage at HOLD mode.		2.0		6.0	
Input high voltage	VIH(1)	Port 0 at CMOS output	Output disable	2.5 to 6.0	0.33VDD +1.0		VDD	
	VIH(2)	Port 0 at N-ch open drain output	Output disable	4.0 to 6.0	0.75VDD		13.5	
				2.5 to 4.0	0.8VDD		13.5	
	VIH(3)	•Port 1 •Ports 72,73 •Port 3 at CMOS output	Output disable	2.5 to 6.0	0.75VDD		VDD	
	VIH(4)	Port 3 at N-ch open drain output	Output disable	4.5 to 6.0	0.75VDD		13.5	
				2.5 to 4.0	0.8VDD		13.5	
	VIH(5)	•Port 70 Port input/interrupt •Port 71 •RES	Output disable	2.5 to 6.0	0.75VDD		VDD	
VIH(6)	Port 70 Watchdog timer	Output disable	2.5 to 6.0	0.9VDD		VDD		
VIH(7)	•Port 8 •Ports 74,75	•Output disable •Using as port	2.5 to 6.0	0.75VDD		VDD		
Input low voltage	VIL(1)	Port 0 at CMOS output option	Output disable	2.5 to 6.0	VSS		0.2VDD	
	VIL(2)	Port 0 at N-ch open drain output	Output disable	2.5 to 6.0	VSS		0.25VDD	
	VIL(3)	•Ports 1,3 •Ports 72,73	Output disable	2.5 to 6.0	VSS		0.25VDD	
	VIL(4)	•Port 70 Port input/interrupt •Port 71 •RES	Output disable	2.5 to 6.0	VSS		0.25VDD	
	VIL(5)	Port 70 Watchdog timer	Output disable	2.5 to 6.0	VSS		0.8VDD -1.0	
	VIL(6)	•Port 8 •Ports 74,75	•Output disable •Using as port	2.5 to 6.0	VSS		0.25VDD	
Operation cycle time	tCYC			4.5 to 6.0	0.98		400	μs
				2.5 to 6.0	3.9		400	
Oscillation frequency range (Note 1)	FmCF(1)	CF1, CF2	•6MHz (ceramic resonator oscillation) •Refer to figure 1	4.5 to 6.0	5.88	6	6.12	MHz
	FmCF(2)	CF1, CF2	•3MHz (ceramic resonator oscillation) •Refer to figure 1	2.5 to 6.0	2.94	3	3.06	
	FmRC		RC oscillation	2.5 to 6.0	0.3	0.8	3.0	
	FsXtal	XT1, XT2	•32.768kHz (crystal oscillation) •Refer to figure 2	2.5 to 6.0		32.768		kHz

Continue.

Parameter	Symbol	Pins	Conditions	Ratings			unit
				VDD[V]	min.	typ.	
Oscillation stabilizing time period (Note 1)	tmsCF(1)	CF1, CF2	•6MHz (ceramic resonator oscillation) •Refer to figure 3	4.5 to 6.0			ms
	tmsCF(2)	CF1, CF2	•3MHz (ceramic resonator oscillation) •Refer to figure 3	4.5 to 6.0			
				2.5 to 6.0			
	tssXtal	XT1, XT2	•32.768kHz (crystal oscillation) •Refer to figure 3	4.5 to 6.0			s
				2.5 to 6.0			

(Note 1) The oscillation constant is shown on table 1 and table 2.

3. Electrical Characteristics at Ta=-30°C to +70°C, VSS=0V

Parameter	Symbol	Pins	Conditions	Ratings			unit	
				VDD[V]	min.	typ.		max.
Input high current	IIH(1)	Ports 0,3 at open drain output	•Output disable •VIN=13.5V (including off-leakage current of the output Tr.)	2.5 to 6.0			5	μA
	IIH(2)	•Port 0 without pull-up MOS Tr. •Ports 1,3 •Ports 70,71,72,73 •Port 8	•Output disable •Pull-up MOS Tr. OFF. •VIN=VDD (including off-leakage current of the output Tr.)	2.5 to 6.0			1	
	IIH(3)	$\overline{\text{RES}}$	VIN=VDD	2.5 to 6.0			1	
	IIH(4)	Ports $\overline{74},75$	•VIN=VDD •Using as port	2.5 to 6.0			1	
Input low current	IIL(1)	•Ports 1,3 •Port 0 without pull-up MOS Tr. •Ports 70,71,72,73 •Port 8	•Output disable •Pull-up MOS Tr. OFF. •VIN=VSS (including off-leakage current of the output Tr.)	2.5 to 6.0	-1			
	IIL(2)	$\overline{\text{RES}}$	VIN=VSS	2.5 to 6.0	-1			
	IIL(3)	Ports $\overline{74},75$	•VIN=VSS •Using as port	2.5 to 6.0	-1			
Output high voltage	VOH(1)	•Ports 0,1,3 of CMOS output	IOH=-1.0mA	4.5 to 6.0	VDD-1			V
	VOH(2)	•Ports 71,72,73 •Ports 84,85,86,87	IOH=-0.1mA	2.5 to 6.0	VDD-0.5			
Output low voltage	VOL(1)	Ports 0,1,3	IOL=10mA	4.5 to 6.0			1.5	
	VOL(2)		IOL=1.6mA	4.5 to 6.0			0.4	
	VOL(3)		•IOL=1.0mA •The current of any unmeasurement pin is not over 1mA.	2.5 to 6.0			0.4	
	VOL(4)	•Ports 71,72,73	IOL=1.6mA	4.5 to 6.0			0.4	
	VOL(5)	•Ports 84,85,86,87	•IOL=0.5mA •The current of any unmeasurement pin is not over 1mA.	2.5 to 6.0			0.4	
	VOL(6)	Port 70	IOL=1mA	4.5 to 6.0			0.4	
	VOL(7)		•IOL=0.5mA •The current of any unmeasurement pin is not over 1mA.	2.5 to 6.0			0.4	
Pull-up MOS Tr. resistor	Rpu	•Ports 0,1,3 •Ports 70,71,72,73 •Ports 84,85,86,87	VOH=0.9VDD	4.5 to 6.0	15	40	70	KΩ
				2.5 to 4.5	25	70	150	
Hysteresis voltage	VHIS	•Port 1 •Ports 70,71,72,73 • $\overline{\text{RES}}$	Output disable	2.5 to 6.0		0.1VDD		V
Pin capacitance	CP	All pins	•f=1MHz •VIN=VSS for all unmeasured terminals. •Ta=25°C	2.5 to 6.0		10		pF

4. Serial Input/Output Characteristics at Ta=-30°C to +70°C, VSS=0V

Parameter	Symbol	Pins	Conditions	VDD[V]	Ratings			unit	
					min.	typ.	max.		
Serial clock	Input clock	Cycle	tCKCY(1)	SCK0,SCK1	Refer to figure 5	2.5 to 6.0	2		tCYC
		Low Level pulse width	tCKL(1)				1		
		High Level pulse width	tCKH(1)				1		
	Output clock	Cycle	tCKCY(2)	SCK0,SCK1	•Use pull-up resistor (1kΩ) in the open drain output. •Refer to figure 5	2.5 to 6.0	2		
		Low Level pulse width	tCKL(2)					1/2tCKCY	
		High Level pulse width	tCKH(2)					1/2tCKCY	
Serial input	Data set-up time	tICK	•SI0,SI1 •SB0,SB1	•Data set-up to SCK0,1 •Data hold from SCK0,1 •Refer to figure 5	4.5 to 6.0	0.1		μs	
	Data hold time	tCKI			2.5 to 6.0	0.4			
					4.5 to 6.0	0.1			
					2.5 to 6.0	0.4			
Serial output	Output delay time (External clock using for serial transfer clock)	tCKO(1)	•SO0,SO1 •SB0,SB1	•Use pull-up resistor (1kΩ) in the open drain output. •Data hold from SCK0,1 •Refer to figure 5	4.5 to 6.0			7/12 tCYC +0.2	
					2.5 to 6.0			7/12 tCYC +1	
	Output delay time (Internal clock using for serial transfer clock)	tCKO(2)				4.5 to 6.0			1/3 tCYC +0.2
						2.5 to 6.0			1/3 tCYC +1

5. Pulse Input Conditions at Ta=-30°C to +70°C, VSS=0V

Parameter	Symbol	Pins	Conditions	Ratings			unit	
				VDD[V]	min.	typ.		max.
High/low level pulse width	tPIH(1) tPIL(1)	•INT0, INT1 •INT2/T0IN	•Interrupt acceptable •Timer0-countable	2.5 to 6.0	1			tCYC
	tPIH(2) tPIL(2)	INT3/T0IN (The noise rejection clock selected to 1/1.)	•Interrupt acceptable •Timer0-countable	2.5 to 6.0	2			
	tPIH(3) tPIL(3)	INT3/T0IN (The noise rejection clock selected to 1/16.)	•Interrupt acceptable •Timer0-countable	2.5 to 6.0	32			
	tPIH(4) tPIL(4)	INT3/T0IN (The noise rejection clock selected to 1/64.)	•Interrupt acceptable •Timer0-countable	2.5 to 6.0	128			
	tPIL(5)	$\overline{\text{RES}}$	Reset acceptable	2.5 to 6.0	200			

6. AD Converter Characteristics at Ta=-30°C to +70°C, VSS=0V

Parameter	Symbol	Pins	Conditions	Ratings			unit	
				VDD[V]	min.	typ.		max.
Resolution	N			4.5 to 6.0		8		bit
Absolute precision (Note 2)	ET			4.5 to 6.0			±1.5	LSB
Conversion time	tCAD		AD conversion time = 16 × tCYC (ADCR2=0) (Note 3)	4.5 to 6.0	15.68 (tCYC= 0.98μs)		65.28 (tCYC= 4.08μs)	μs
			AD conversion time = 32 × tCYC (ADCR2=1) (Note 3)		31.36 (tCYC= 0.98μs)		130.56 (tCYC= 4.08μs)	
Analog input voltage range	VAIN	AN0 to AN7		4.5 to 6.0	VSS		VDD	V
Analog port input current	IAINH		VAIN=VDD	4.5 to 6.0			1	μA
	IAINL		VAIN=VSS	4.5 to 6.0	-1			

(Note 2) Absolute precision excepts the quantizing error (±1/2 LSB).

(Note 3) The conversion time means the time from executing the AD conversion instruction to setting the complete digital conversion value to the register.

7. Current Dissipation Characteristics at Ta=-30°C to +70°C, VSS=0V

Parameter	Symbol	Pins	Conditions	Ratings			unit	
				VDD[V]	min.	typ.		max.
Current dissipation during basic operation (Note 4)	IDDOP(1)	VDD	<ul style="list-style-type: none"> •FmCF=6MHz Ceramic resonator oscillation •FsXtal=32.768kHz crystal oscillation •System clock : CF oscillation •Internal RC oscillation stops •1/1 divided 	4.5 to 6.0		7	18	mA
	IDDOP(2)		<ul style="list-style-type: none"> •FmCF=3MHz Ceramic resonator oscillation •FsXtal=32.768kHz crystal oscillation 	4.5 to 6.0		3	7	
	IDDOP(3)		<ul style="list-style-type: none"> •System clock : CF oscillation •Internal RC oscillation stops •1/2 divided 	2.5 to 4.5		1.5	5	
	IDDOP(4)		<ul style="list-style-type: none"> •FmCF=0Hz (The oscillation stops) 	4.5 to 6.0		0.7	3	
	IDDOP(5)		<ul style="list-style-type: none"> •FsXtal=32.768kHz crystal oscillation •System clock : RC oscillation •1/2 divided 	2.5 to 4.5		0.4	2.5	
	IDDOP(6)		<ul style="list-style-type: none"> •FmCF=0Hz (The oscillation stops) •FsXtal=32.768kHz crystal oscillation 	4.5 to 6.0		35	130	
	IDDOP(7)		<ul style="list-style-type: none"> •System clock : 32.768kHz •Internal RC oscillation stops •1/2 divided 	2.5 to 4.5		15	70	

Continue.

Parameter	Symbol	Pins	Conditions	Ratings			unit	
				VDD[V]	min.	typ.		max.
Current dissipation in HALT mode (Note 4)	IDDHALT(1)	VDD	<ul style="list-style-type: none"> •HALT mode •FmCF=6MHz Ceramic resonator oscillation •FsXtal=32.768kHz crystal oscillation •System clock : CF oscillation •Internal RC oscillation stops •1/1 divided 	4.5 to 6.0		4	9	mA
	IDDHALT(2)		<ul style="list-style-type: none"> •HALT mode •FmCF=3MHz Ceramic resonator oscillation •FsXtal=32.768kHz crystal oscillation •System clock : CF oscillation •Internal RC oscillation stops •1/2 divided 	4.5 to 6.0		2.2	5	
	IDDHALT(3)		<ul style="list-style-type: none"> •HALT mode •FmCF=0Hz (The oscillation stops) •FsXtal=32.768kHz crystal oscillation •System clock : RC oscillation •1/2 divided 	2.5 to 4.5		0.8	3	
	IDDHALT(4)		<ul style="list-style-type: none"> •HALT mode FmCF=0Hz (The oscillation stops) •FsXtal=32.768kHz crystal oscillation •System clock : RC oscillation •1/2 divided 	4.5 to 6.0		400	1600	μA
	IDDHALT(5)		<ul style="list-style-type: none"> •HALT mode FmCF=0Hz (The oscillation stops) •FsXtal=32.768kHz crystal oscillation •System clock : RC oscillation •1/2 divided 	2.5 to 4.5		200	1300	
	IDDHALT(6)		<ul style="list-style-type: none"> •HALT mode FmCF=0Hz (The oscillation stops) •FsXtal=32.768kHz crystal oscillation •System clock : crystal oscillation •Internal RC oscillation stops •1/2 divided 	4.5 to 6.0		25	100	
	IDDHALT(7)		<ul style="list-style-type: none"> •HALT mode FmCF=0Hz (The oscillation stops) •FsXtal=32.768kHz crystal oscillation •System clock : crystal oscillation •Internal RC oscillation stops •1/2 divided 	2.5 to 4.5		8	55	
Current dissipation in HOLD mode (Note 4)	IDDHOLD(1)	VDD	HOLD mode	4.5 to 6.0		0.05	30	
	IDDHOLD(2)			2.5 to 4.5		0.02	20	

(Note 4) The currents of the output transistors and the pull-up MOS transistors are ignored.

Table 1. Ceramic resonator oscillation recommended constant (main-clock)

Oscillation type	Maker	Oscillator	C1	C2
6MHz ceramic resonator oscillation	Murata	CSA6.00MG		
		CST6.00MGW		
	Kyocera	KBR-6.0MSA		
		PBRC6.00A (chip type)		
		KBR-6.0MKS		
	PBRC6.00B (chip type)			
3MHz ceramic resonator oscillation	Murata	CSA3.00MG		
		CST3.00MGW		
	Kyocera	KBR-3.0MS		

* Both C1 and C2 must be use K rank ($\pm 10\%$) and SL characteristics.

www.DataSheet4U.com

Table 2. Crystal oscillation guaranteed constant (sub-clock)

Oscillation type	Maker	Oscillator	C3	C4	Rd
32.768kHz crystal oscillation					

* Both C3 and C4 must be use J rank ($\pm 5\%$) and CH characteristics.

(Not in need of high precision, use K rank ($\pm 10\%$) and SL characteristics.)

- (Notes)
- Please place the oscillation-related parts as close to the oscillation pins as possible with the shortest possible pattern length since the circuit pattern affects the oscillation frequency.
 - If you use other oscillators herein, we provide no guarantee for the characteristics.

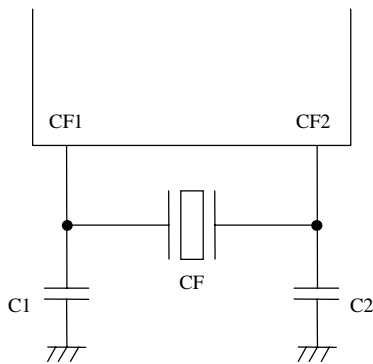


Figure 1 Main-clock circuit
Ceramic resonator oscillation

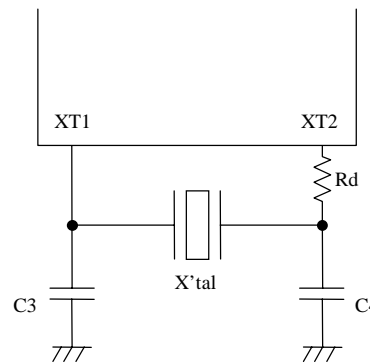
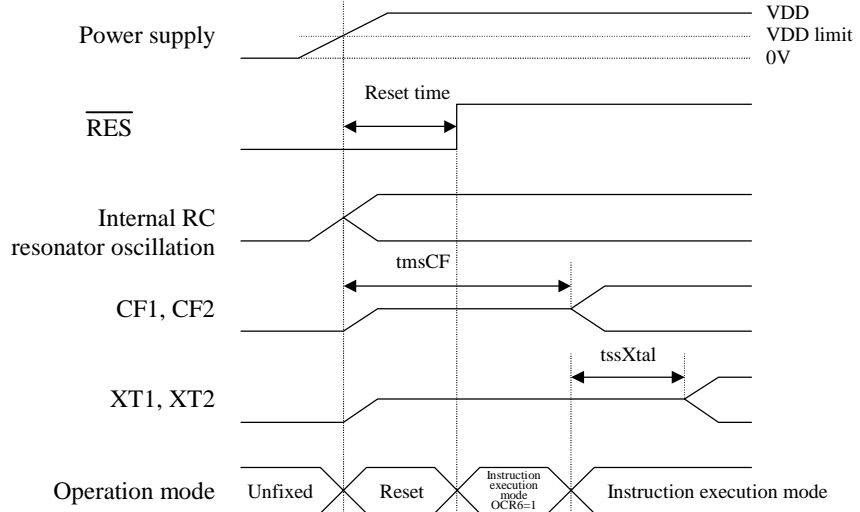
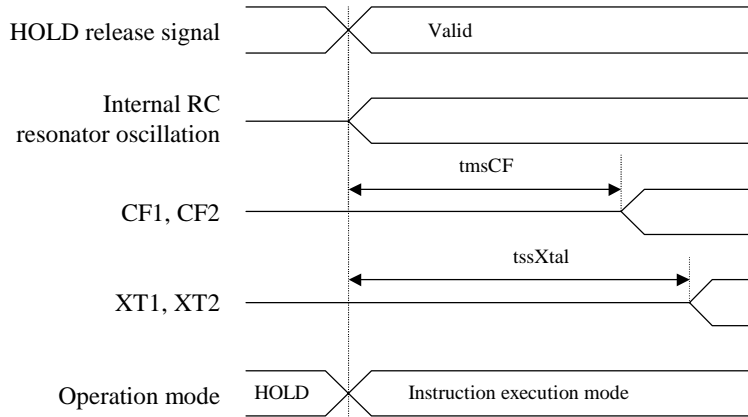


Figure 2 Sub-clock circuit
Crystal oscillation



<Reset time and oscillation stable time>



<HOLD release signal and oscillation stable time>

Figure 3 Oscillation stable time

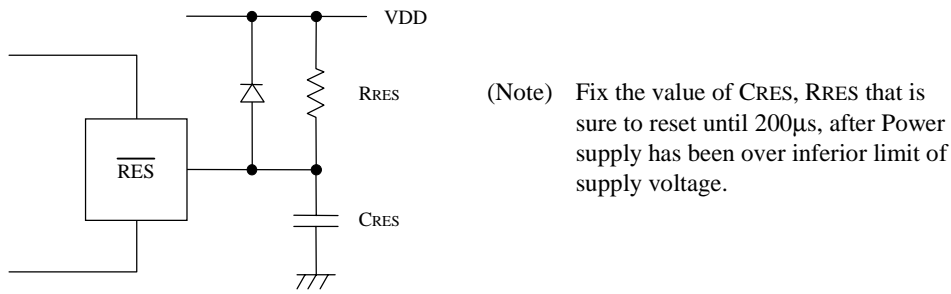


Figure 4 Reset circuit

www.DataSheet4U.com

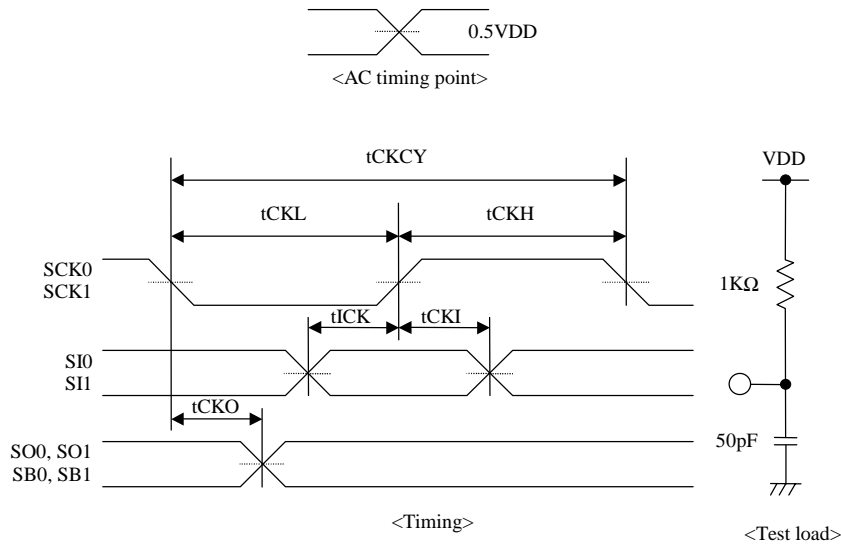


Figure 5 Serial input / output test condition

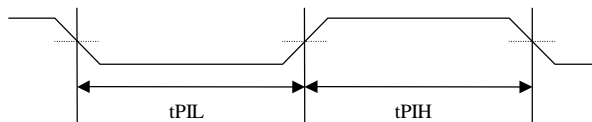


Figure 6 Pulse input timing condition

memo:

www.DataSheet4U.com

- Specifications of any and all SANYO products described or contained herein stipulate the performance, characteristics, and functions of the described products in the independent state, and are not guarantees of the performance, characteristics, and functions of the described products as mounted in the customer's products or equipment. To verify symptoms and states that cannot be evaluated in an independent device, the customer should always evaluate and test devices mounted in the customer's products or equipment.
- SANYO Electric Co., Ltd. strives to supply high-quality high-reliability products. However, any and all semiconductor products fail with some probability. It is possible that these probabilistic failures could give rise to accidents or events that could endanger human lives, that could give rise to smoke or fire, or that could cause damage to other property. When designing equipment, adopt safety measures so that these kinds of accidents or events cannot occur. Such measures include but are not limited to protective circuits and error prevention circuits for safe design, redundant design, and structural design.
- In the event that any or all SANYO products (including technical data, services) described or contained herein are controlled under any of applicable local export control laws and regulations, such products must not be exported without obtaining the export license from the authorities concerned in accordance with the above law.
- No part of this publication may be reproduced or transmitted in any form or by any means, electronic or mechanical, including photocopying and recording, or any information storage or retrieval system, or otherwise, without the prior written permission of SANYO Electric Co., Ltd.
- Any and all information described or contained herein are subject to change without notice due to product/technology improvement, etc. When designing equipment, refer to the "Delivery Specification" for the SANYO product that you intend to use.
- Information (including circuit diagrams and circuit parameters) herein is for example only ; it is not guaranteed for volume production. SANYO believes information herein is accurate and reliable, but no guarantees are made or implied regarding its use or any infringements of intellectual property rights or other rights of third parties.

This catalog provides information as of September, 2000. Specifications and information herein are subject to change without notice.